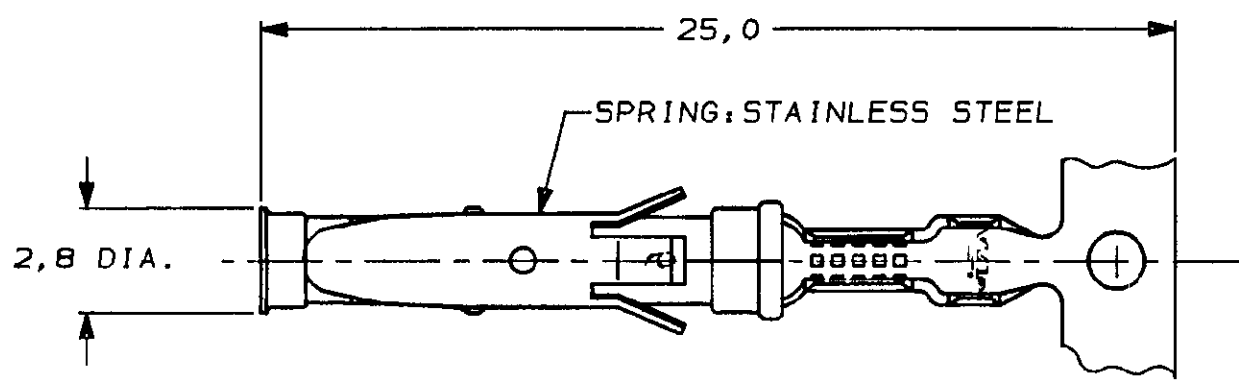


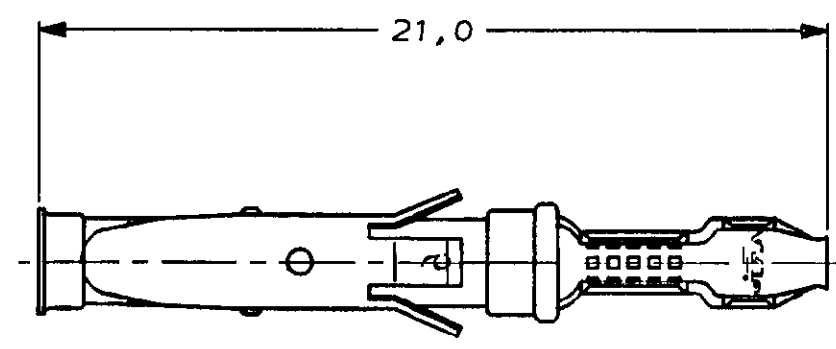
DO NOT SCALE
DIMENSIONS IN mm

METRIC

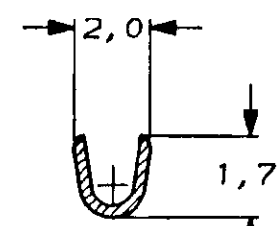
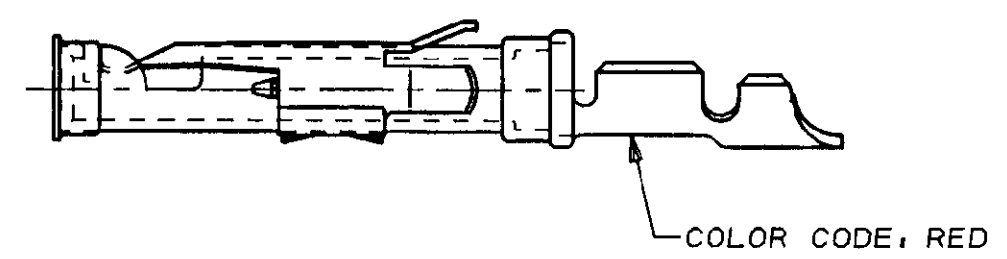
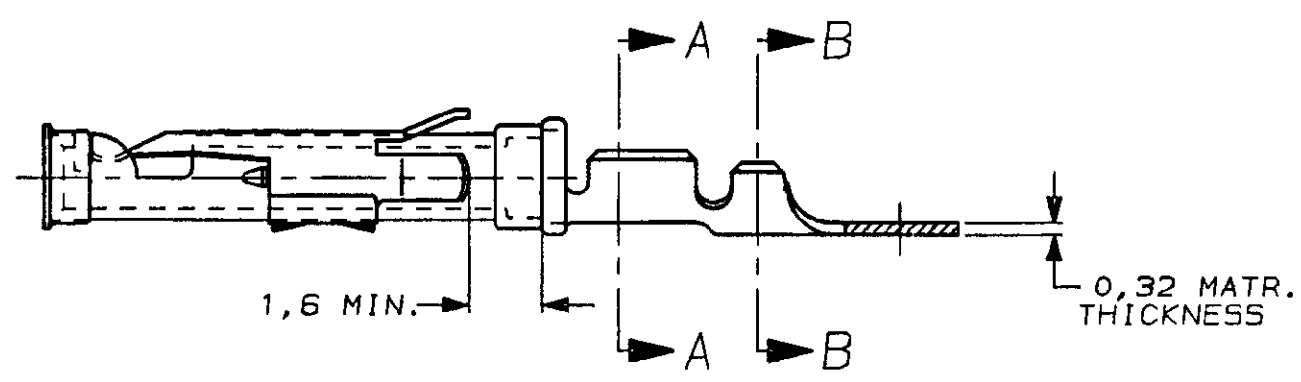
THIRD ANGLE
PROJECTION



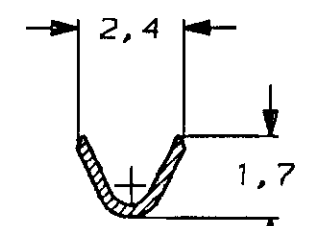
STRIP



LOOSE-PIECE



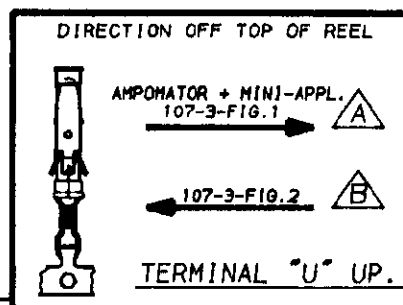
SECTION A-A



SECTION B-B

WIRE RANGE : 0,12-0,20 mm² (26-24 AWG)
INSUL. RANGE : 0,9 -1,4 mm (.035-.055)

DOC. CONTROL
09 SEP 1987



1-163091-3	A	1-163092-3	BRASS	EL. TIN	21	20
1-163091-2	A	1-163092-2	BRASS	BR. TIN/LEAD	21	20
1-163091-1	A		BRASS	ECON. GOLD	21	21
1-163091-0	B	1-163092-0	BRASS	ECON. GOLD	21	21
163091-9	A		BRASS	EL. TIN	20	20
163091-8	A		BRASS	SEL. GOLD	22	22
163091-2	A	163092-2	BRASS	SEL. GOLD	22	22
163091-1	B	163092-1	BRASS	EL. TIN	20	20
PARTNUMBER	DIRECTION OF REEL	LOOSE-PIECE	MATERIAL	PLATING		

NOTES	MATERIAL	THICKNESS	AREA
20	TIN	2,0 μm	ALL OVER
21	NICKEL GOLD	0,8 μm	ALL OVER CONTACT AREA
22	TIN/LEAD		BARREL
23	NICKEL GOLD	0,8 μm	ALL OVER CONTACT AREA
24	GOLD		ALL OVER
25	NICKEL GOLD	1,2 μm	ALL OVER CONTACT AREA
26	SILVER	2,5 μm	ALL OVER CONTACT AREA
27	TIN/LEAD		BARREL
28	SILVER	0,5 μm	ALL OVER
29	SILVER	2,5 μm	ALL OVER
30	NICKEL	1,27 μm	ALL OVER
31	TIN/LEAD	1,27 μm	ALL OVER
32	LUBRICATED		

Y	EBD0-0335-04	JMS	FWK	02/08/04
M	EH-0302-94	JvL	MvD	03-05-94
L	ECN H-9813	JvdH	RD	18-05-92
LTR.	REVISION RECORD	DR.	CHK.	DATE
DR.	L.V.D. HEIJDEN.	CHK.	P.V.D. HAGEN.	APP.
DATE:	19-08-87	DATE:	20-08-87	DATE:
				AL.V. SOEST
				DATE: 20-08-87

CUSTOMER DRAWING FOR REFERENCE ONLY
WILL NOT BE UPDATED

© COPYRIGHT 19- BY AMP HOLLAND B.V.
ALL INTERNATIONAL RIGHTS RESERVED. AMP PRODUCTS MAY BE COVERED BY U.S. AND FOREIGN AND/OR PATENTS PENDING.
THIS DRAWING IS UNPUBLISHED
RELEASED FOR PUBLICATION

AMP AMP HOLLAND B.V.
's-Hertogenbosch, The Netherlands.

NAME: SOCKET TYPE III CONTACT
SIZE 16.

DWG. No.	REV. LTR.	SHEET
C-163091	Y	1 OF 1

- NOTES:
- U.L. RECOGNIZED UNDER FILE E28476 VOL. VI SEC. I.
 - FOR CRIMP DETAILS SEE AMP-SPEC. 114-19.000.
 - MEETS PRODUCT SPECIFICATION 108-10042.